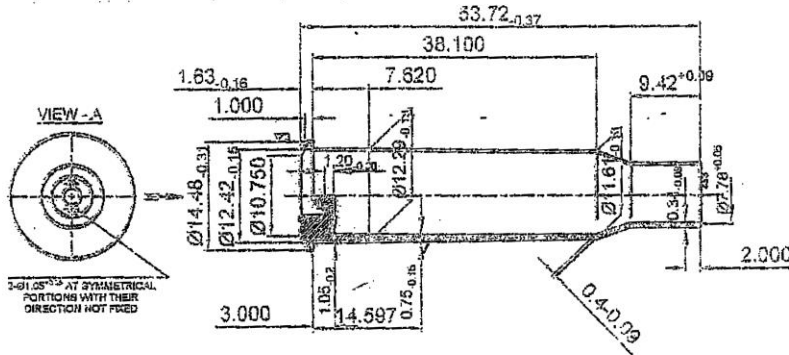


RESTRICTED

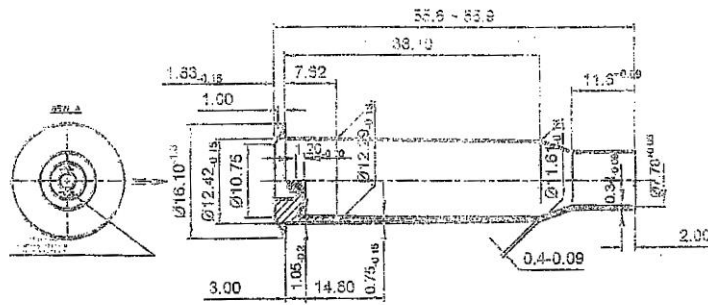
DRAWING FOR TRIMMING AND SIEVING MACHINE



OUTPUT FOR TRIMMING & SIEVING M/C

			DRAWN BY	Sadrul Tec
			CHECKED BY	<i>[Signature]</i>
			APPROVED BY	<i>[Signature]</i>
			BASED ON	SAMPLE
			SCALE	1:1
			MATERIAL	G.M.C.S
DATE	AMENDMENT	SIGN	DATE	11-04-2022
BALL CASE TYPE-53			DRG SKETCH NO- 1174A-1	
			NO OF SHTS.-1	SHT NO.-1

RESTRICTED



INPUT FOR Trimming and sieving etc

LM LETTER NO. LM 23.27.0000.347.59.006.18.22.08.2020. DATE: 22 Aug 2020 CC-1

			DRAWN BY	TAUHID SEA
			CHECKED BY	<i>[Signature]</i>
			APPROVED BY	<i>[Signature]</i> 22/08/20
			BASED ON	SAMPLE
			SCALE	1:1
			MATERIAL	G.M.C.S
DATE	AMENDMENT	SIGN	DATE	22-08-2020
BALL CASE TYPE-53			DRG SKETCH NO-1174A	
			NO OF SHTS.-1	SH T NO.-1

[Handwritten]
22/08/2020