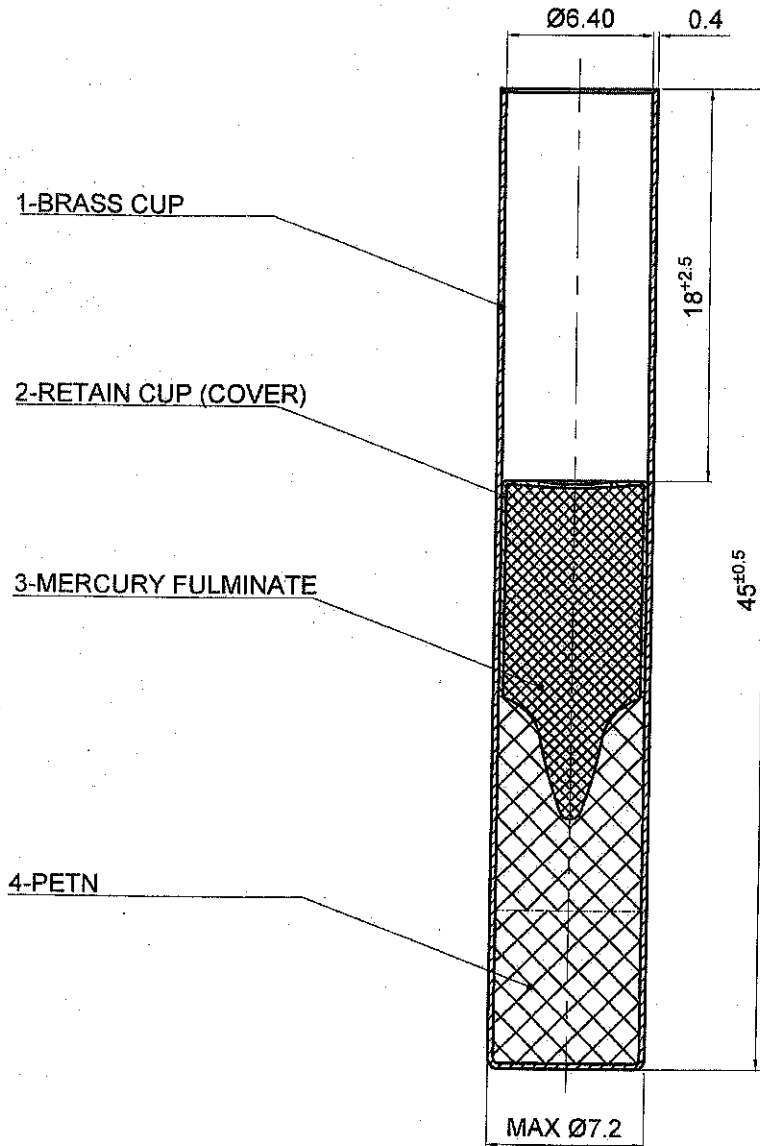


I
3:1

ANX C TO
BOF LTR NO 23.27.0000.
244.021.001.22.16.07.22
DT JULY 2022

DRAWING OF DETONATOR CUP HE FUZE



NOTES:-

1. ALL DIMENSIONS ARE IN MM.

			DRAWN & CHECKED BY	TAUHID
			RE-CHECKED BY (USER)	
			USER SIGNATURE	
			SIGNED BY	
			BASED ON	SAMPLE
			MATERIAL	COPPER / ALUMINIUM
			SCALE	3:1
DATE	AMENDMENT	SIGN	DATE	17-08-2020
DETONATOR CUP FOR HE FUZE			DRG SK NO -1222	
			NO OF SHTS -1	SHT NO -1

RESTRICTED

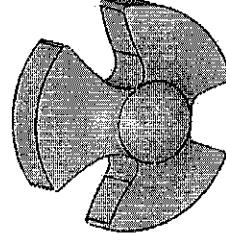
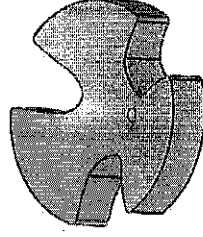
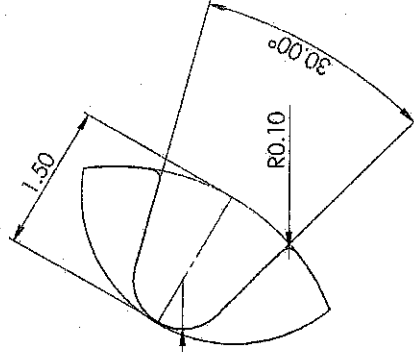
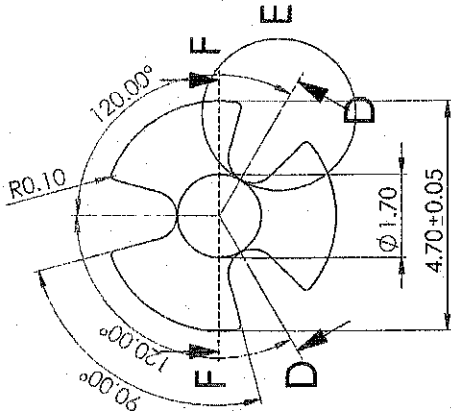
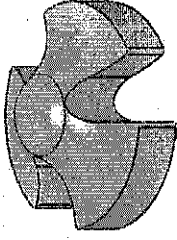
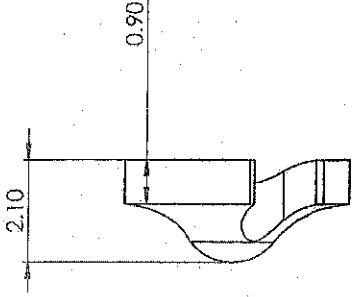
DRAWING OF ANVIL OF PERCUSSION CAP

ANX B TO

BOF LTR NO 23.27.0000.

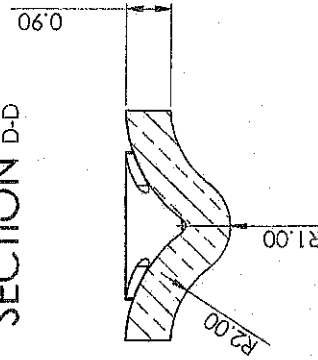
244.021.001.22.16.07.22

DT JULY 2022



DETAIL E
SCALE 20 : 1

SECTION D-D



SECTION F-F

ALL DIMENSIONS ARE IN MM

MATERIAL: BRASS

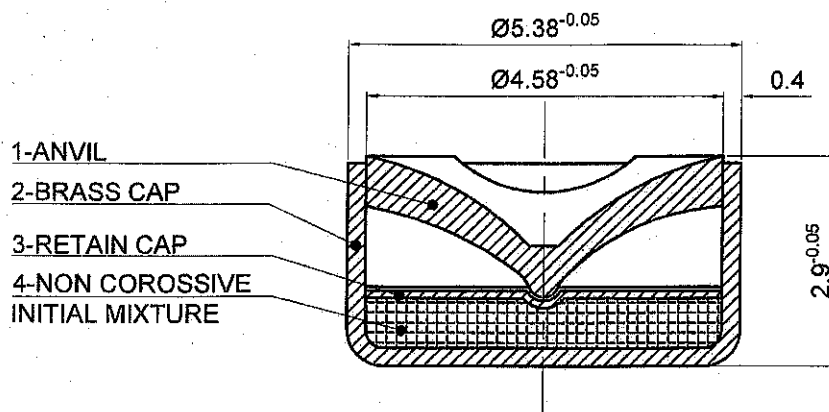
SCALE:10:1

B-1
RESTRICTED

ANX A TO
 BOF LTR NO 23.27.0000.
 244.021.001.22.16.07.22
 DT JULY 2022

DRAWING OF PERCUSSION CAP

I
10:1



NOTE:-

1. ALL DIMENSIONS ARE IN MM.

			DRAWN & CHECKED BY	TAUHID
			RE-CHECKED BY (USER)	
			USER SIGNATURE	
			SIGNED BY	
			BASED ON	SAMPLE
			MATERIAL	BRASS
			SCALE	10:1
DATE	AMENDMENT	SIGN	DATE	17- 08-2020
PERCUSSION CAP			DRG SK NO:- 1221	
			NO OF SHTS -1	SHT NO -1