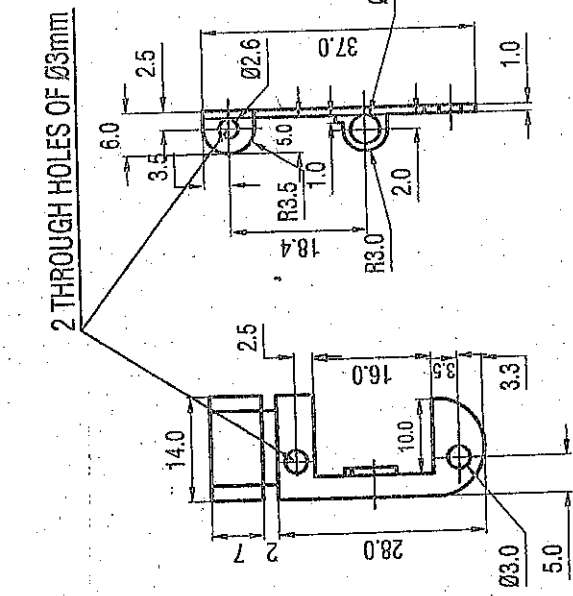
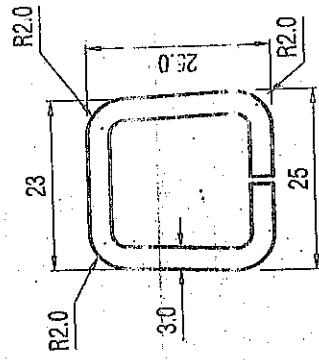


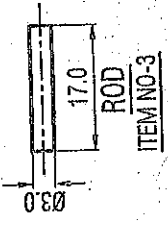
ASSY LOCK



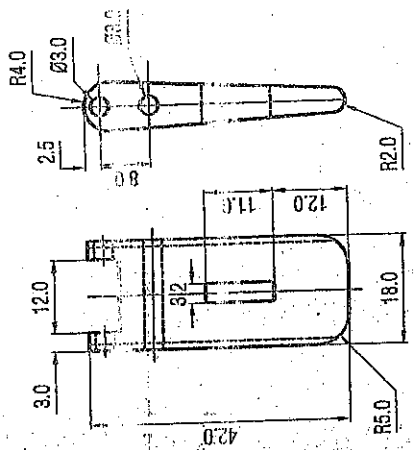
**ITEM NO-5
QTY-2**



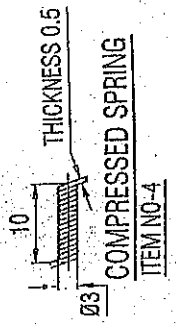
**BUCKLE
ITEM NO-1
QTY-2**



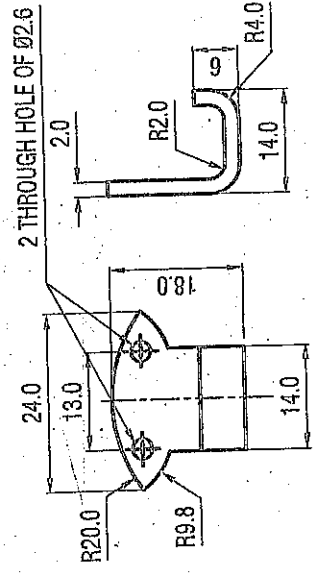
**ITEM NO-3
ROD**



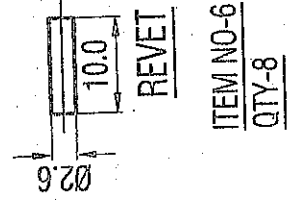
**ITEM NO-4
COMPRESSED SPRING**



**ITEM NO-4
THICKNESS 0.5**



**ITEM NO-6
QTY-8**



**REVEIT
ITEM NO-6
QTY-8**

TECHNICAL REQUIREMENTS

- 1) REMOVE SHARP CORNERS
- 2) TOTAL REVEIT NOS
- 3) ONE SPRING FOR EACH LOCK
- 4) ONE ROD FOR EACH SPRING
- 5) ALL DIMENSIONS ARE IN MM

DRAWN BY	TAUJID
CHECKED BY	<i>[Signature]</i>
APPROVED BY	<i>[Signature]</i>
BASED ON	SAMPLE
SCALE	1:1
MATERIAL	STAINLESS STEEL
DATE	
AMENDMENT	SIGN
PLASTIC BOX FOR AMMUNITION & GREN PACKING	
DRG SK NO-1016	
NO OF SHEETS -4	SHEET NO-4

