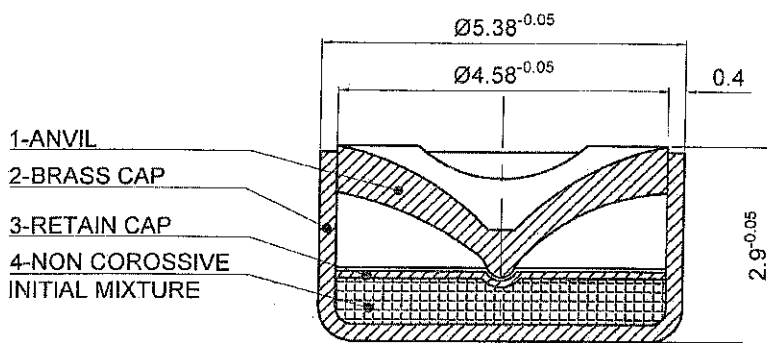


Annex - G TO

Tender No - 23,27.0000,167,56,4/123/6,20.21

DE - 23 - 07 - 2020

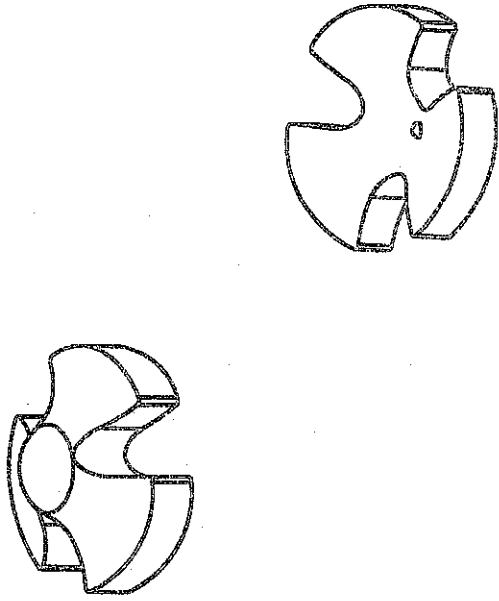
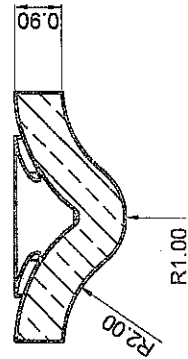
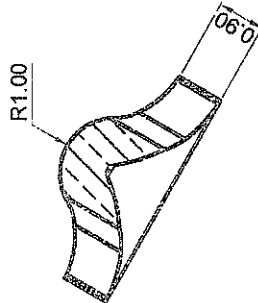
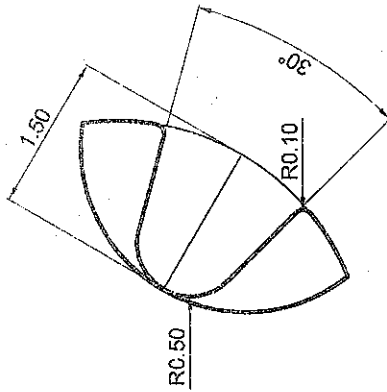
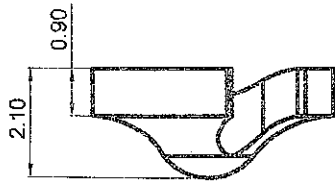
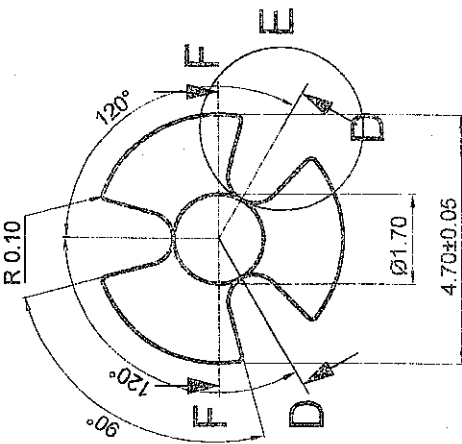
I
10:1



NOTE:-

1. ALL DIMENSIONS ARE IN MM.

			DRAWN & CHECKED BY	TAUHID
			RE-CHECKED BY (USER)	
			USER SIGNATURE	
			SIGNED BY	
			BASED ON	SAMPLE
			MATERIAL	BRASS
			SCALE	10:1
DATE	AMENDMENT	SIGN	DATE	17-08-2020
PERCUSSION CAP FOR HE FUZE			DRG SK NO:- 1221	
			NO OF SHTS -1	SHT NO -1



**DETAILS
SCALE 20 : 1**

SECTION D-D

SECTION F-F

NOTE :- ALL DIMENSIONS ARE IN MM.

CHECKED					
RE-CHECKED BY(USER)					
USER SIGNATURE					
SIGNATURE BY					
BASED ON					
SCALE					
MATERIAL					
DATE					
AMENDMENT					
SIGN					
DRAWN BY	INVOLUTE TECH BD				
	ANVIL				
	SK NO - 1224				
	NO OF SHTS - 1				
	SHT NO - 1				